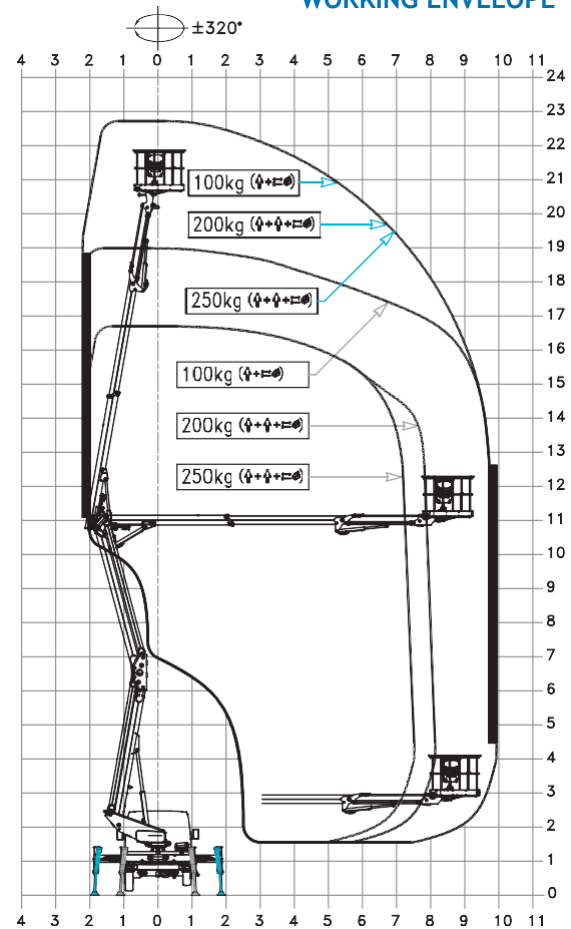
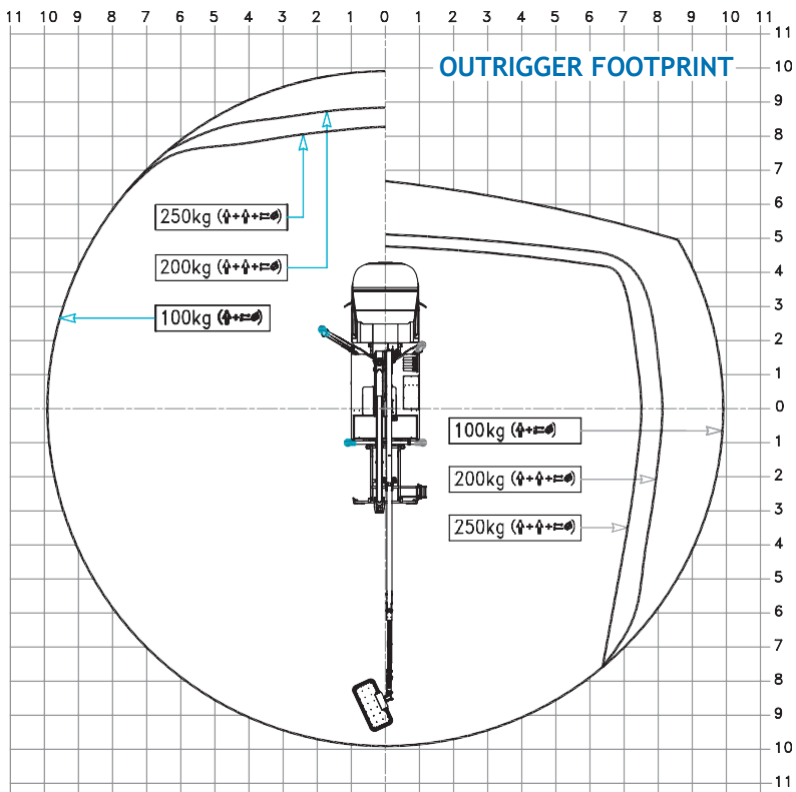


WORKING ENVELOPE



OUTRIGGER FOOTPRINT



DIMENSIONS

